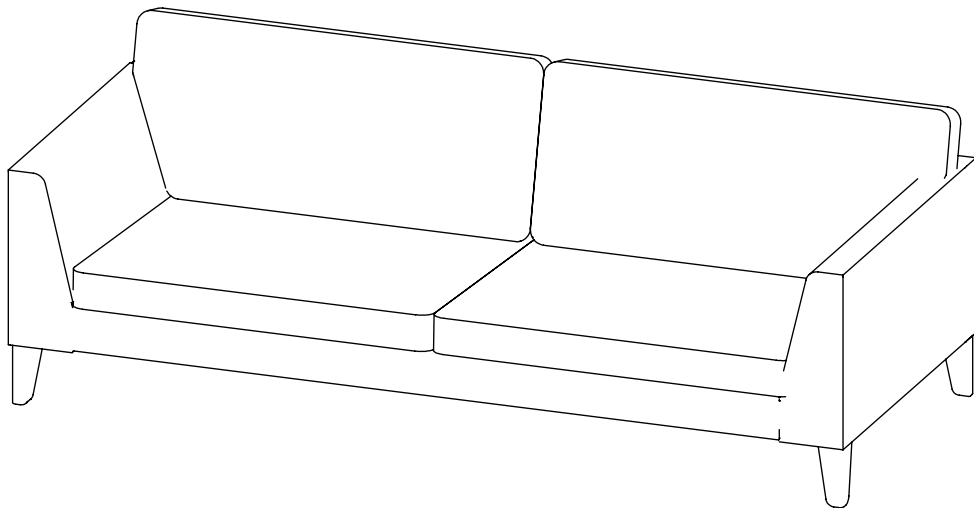
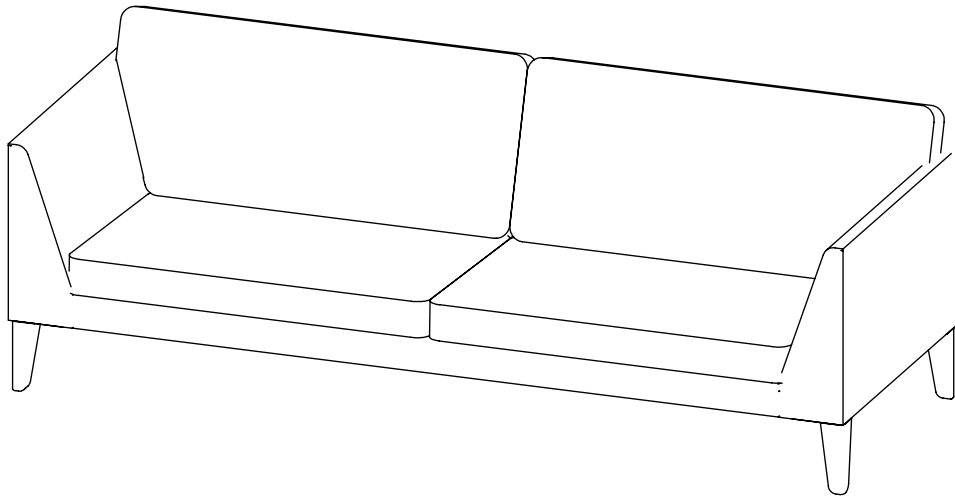
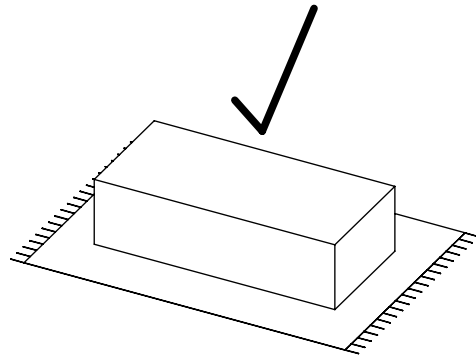
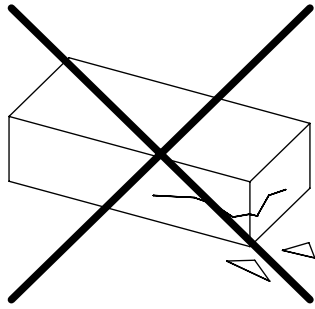


# SOFFA 85 & SOFFA 100



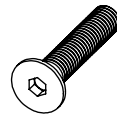
norr-gavel



LEG KILBÖJ  
LEG SNEDKIL  
LEG VINGE



x1



x4



x16

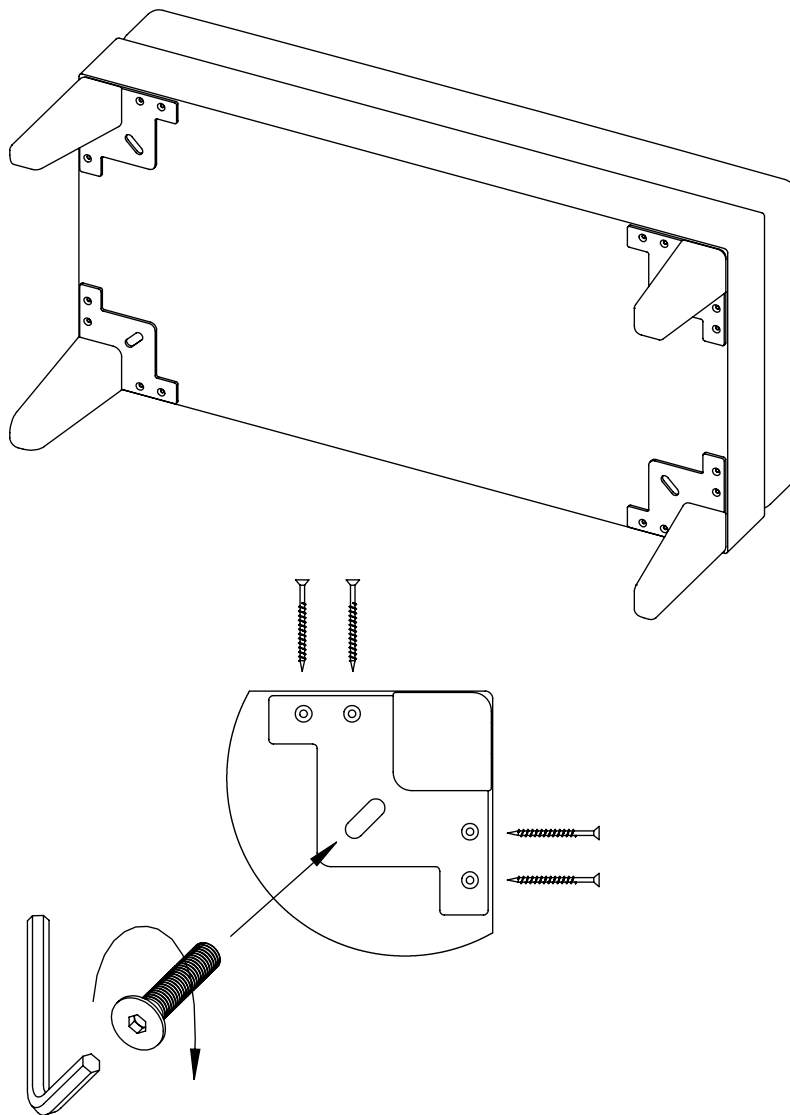
LEG KON



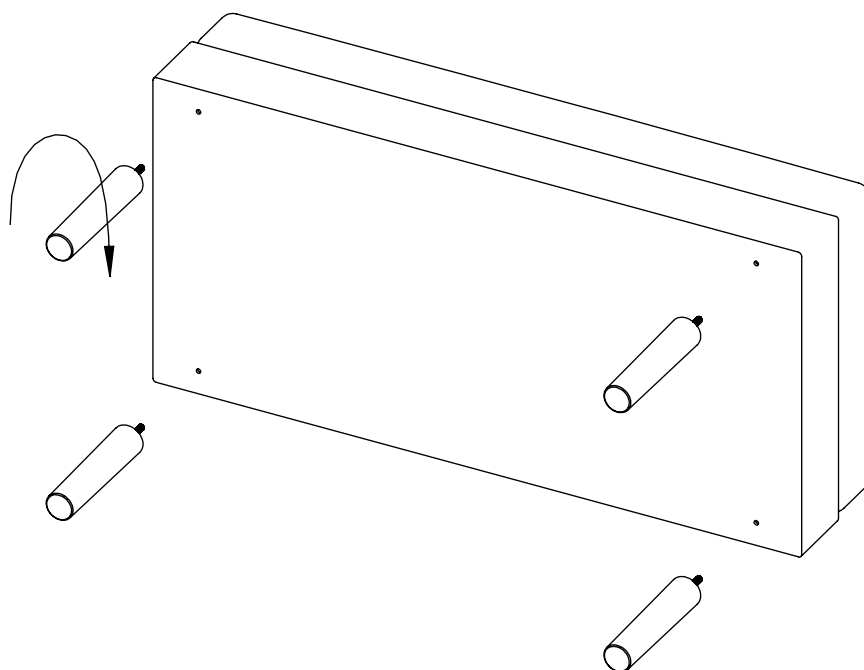
x4

Chaise Longue L/R: Free standing  
Divan L/R: Free standing  
Open end L/R: Free standing  
Corner: Free standing, requires 2 pcs extension modules  
2, 3, 4-seater middle: Extension, requires 2 pcs free standing modules  
2-, 3-, 4-seater extension L/R: Extension, requires 1 pcs free standing modules

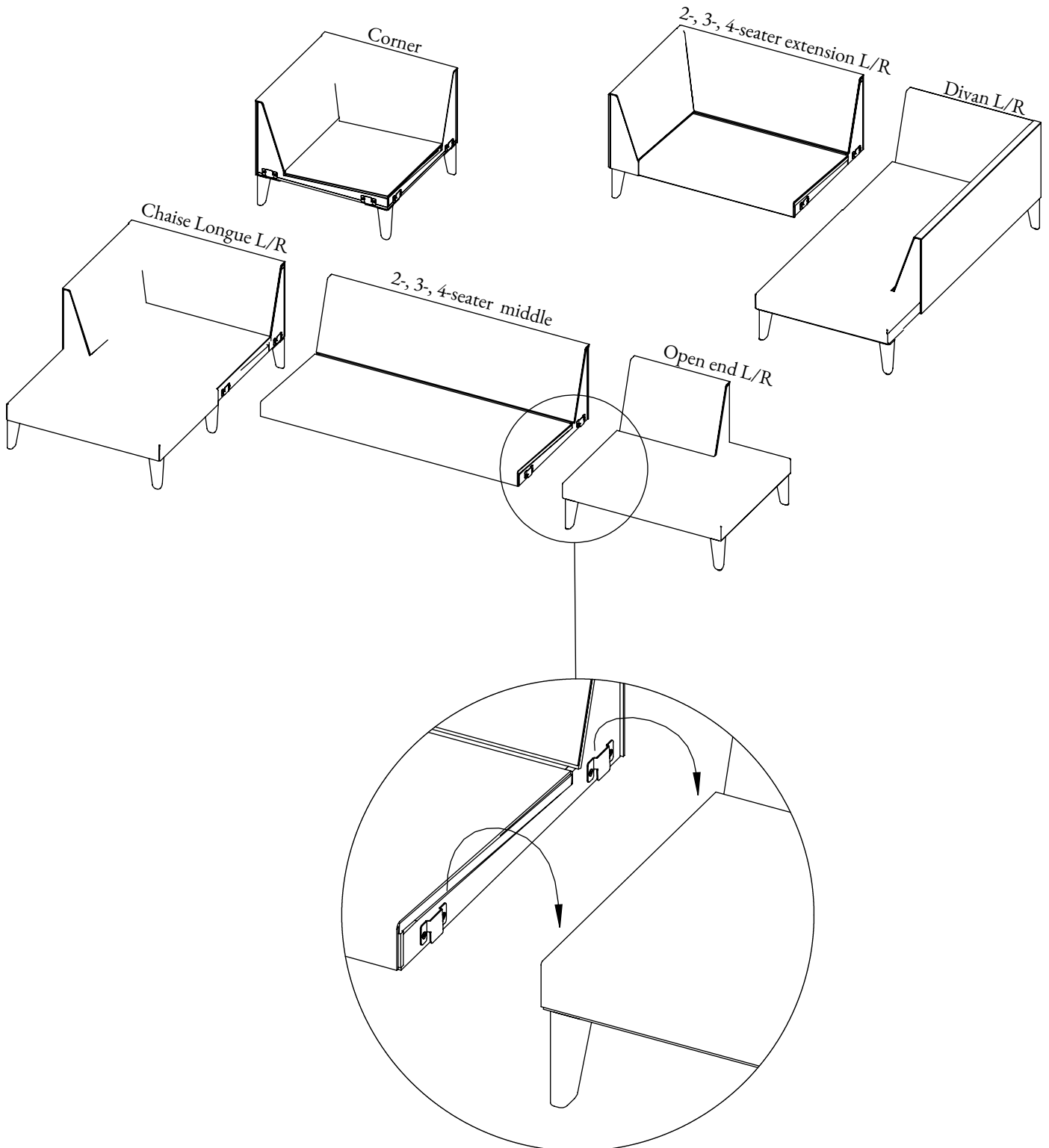
# 1. Leg Kilböj, -Snedkil & -Vinge



# 2. Leg Kon



- Chaise Longue L/R: Free standing
- Divan L/R: Free standing
- Open end L/R: Free standing
- Corner: Free standing, requires 2 pcs extension modules
- 2, 3, 4-seater middle: Extension, requires 2 pcs free standing modules
- 2-, 3-, 4-seater extension L/R: Extension, requires 1 pcs free standing modules



Hang the extension module on the free standing module using the fittings as shown in illustration above.