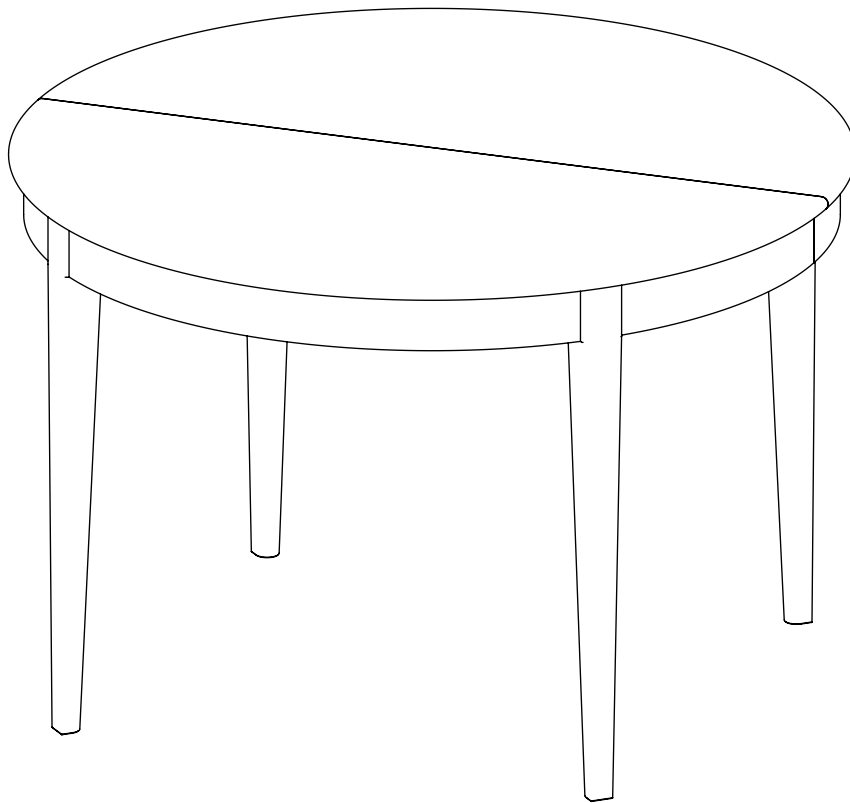
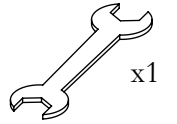
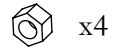
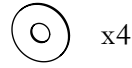
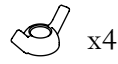
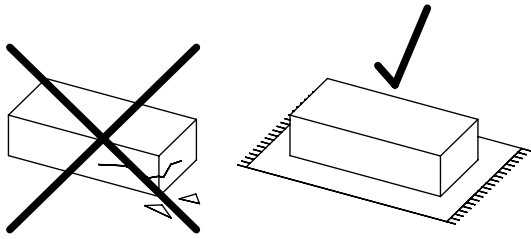


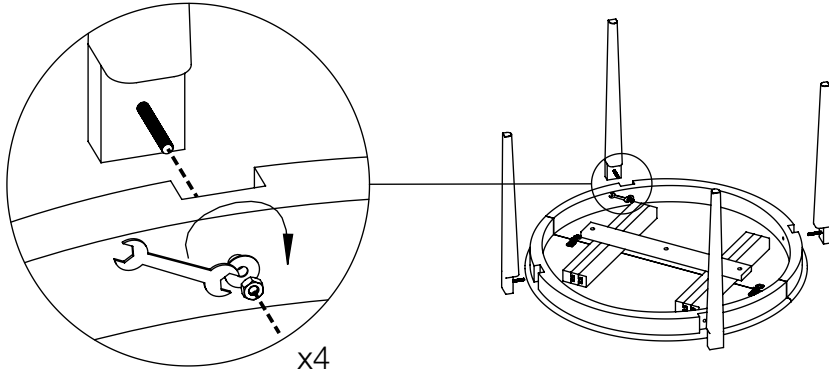
RUNT MATBORD



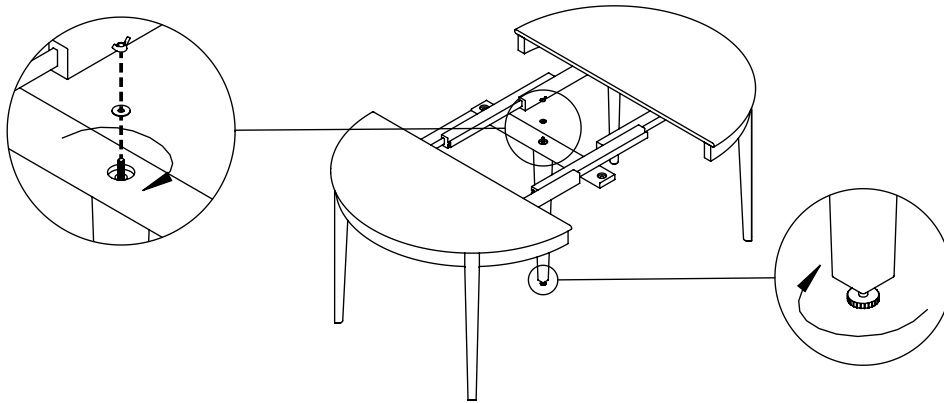
norrghavel



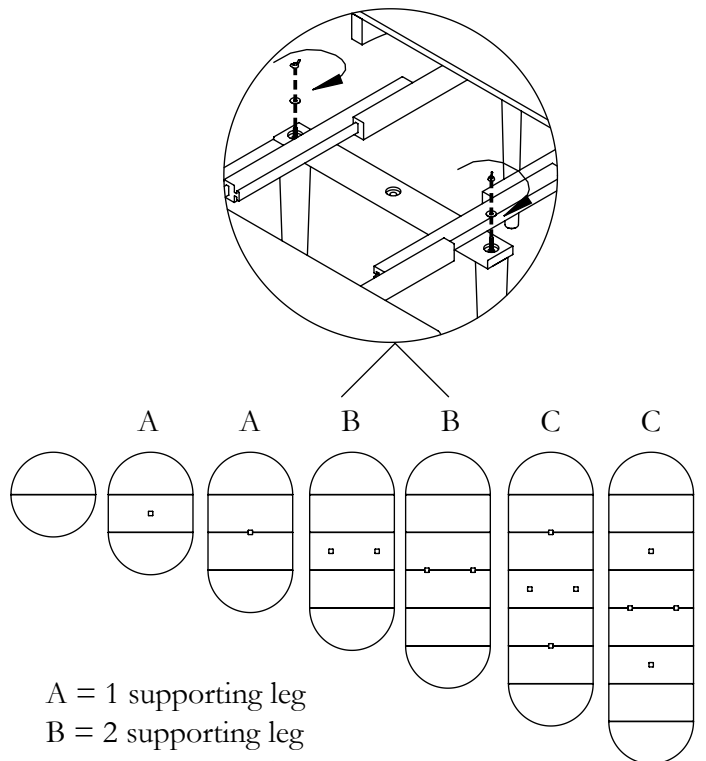
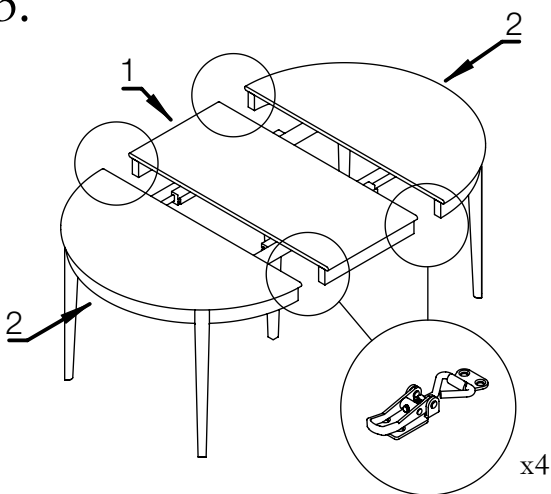
1.



2.



3.



A = 1 supporting leg
B = 2 supporting leg
C = 4 supporting legs